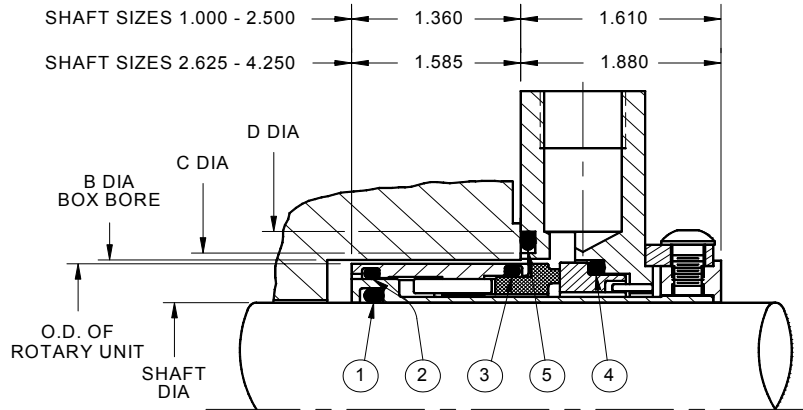




ADVANCED SEALING TECHNOLOGY DIMENSIONAL DATA

AST 70 SINGLE CARTRIDGE SEAL

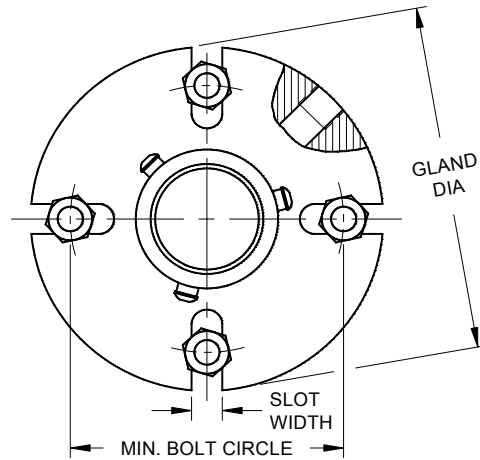


SHAFT SIZE	ROTARY O.D.	B DIA MIN	C DIA	D DIA	O-RING SIZES				
					1	2	3	4	5
1.000	1.69	1.750	1.88	2.25	214	127	128	222	226
1.125	1.81	1.875	2.00	2.38	216	129	130	223	
1.188	1.94	2.000	2.13	2.50	217	131	132	224	228
1.250	1.94	2.000	2.13	2.50	218	131	132	224	228
1.375	2.06	2.125	2.25	2.60	220	133	134	225	
1.438	2.19	2.250	2.38	2.75	221	135	136	226	230
1.500	2.19	2.250	2.38	2.75	222	135	136	226	230
1.625	2.31	2.375	2.50	2.88	223	137	138	227	231
1.688	2.44	2.500	2.63	3.00	224	139	140	228	232
1.750	2.44	2.500	2.63	3.00	224	139	140	228	232
1.875	2.56	2.625	2.75	3.11	225	141	142	229	233
1.938	2.69	2.750	2.88	3.25	226	143	144	230	234
2.000	2.69	2.750	2.88	3.25	226	143	144	230	234
2.125	2.81	2.875	3.00	3.38	227	145	146	231	235
2.188	2.94	3.000	3.13	3.50	228	147	148	232	236
2.250	2.94	3.000	3.13	3.50	228	147	148	232	236
2.375	3.06	3.125	3.25	3.63	229	149	150	233	237
2.438	3.19	3.250	3.50	3.88	230	151	151	234	239
2.500	3.19	3.250	3.50	3.88	230	151	151	234	239
2.625	3.54	3.625	3.75	4.13	231	236	236	339	241
2.750	3.66	3.750	3.88	4.25	232	237	237	340	242
2.875	3.79	3.875	4.00	4.38	233	238	238	341	243
3.000	3.91	4.000	4.13	4.50	234	239	239	342	244
3.125	4.04	4.125	4.25	4.63	235	240	240	343	245
3.250	4.16	4.250	4.38	4.75	236	241	241	344	246
3.375	4.29	4.375	4.50	4.88	237	242	242	345	247
3.500	4.41	4.500	4.63	5.00	238	243	243	346	248
3.625	4.54	4.625	4.75	5.13	239	244	244	347	249
3.750	4.66	4.750	4.88	5.25	240	245	245	348	250
3.875	4.79	4.875	5.00	5.38	241	246	246	349	251
4.000	4.91	5.000	5.13	5.50	242	247	247	350	252
4.500	5.41	5.500			246	251	251	354	



ADVANCED SEALING TECHNOLOGY DIMENSIONAL DATA

BOLT CIRCLE AND SLOT WIDTH AST 70 & 80 SEALS



SHAFT SIZE	GLAND DIA	Minimum Bolt Circle (by Bolt Size)				SLOT WIDTH
		3/8"	1/2"	5/8"	3/4"	
1.000	4.09	2.87	---	---	---	.44
1.125	4.22	2.87	---	---	---	.44
1.188	4.34	3.12	---	---	---	.44
1.250	4.34	3.12	---	---	---	.44
1.375	4.47	3.25	---	---	---	.44
1.438	4.97	3.36	3.48	---	---	.56
1.500	4.97	3.36	3.48	---	---	.56
1.625	4.97	3.50	3.62	---	---	.56
1.688	5.47	3.75	3.87	---	---	.56
1.750	5.47	3.75	3.87	---	---	.56
1.875	5.47	3.75	3.87	---	---	.56
1.938	5.47	3.87	4.05	---	---	.56
2.000	5.47	3.87	4.05	---	---	.56
2.125	5.97	---	4.25	4.37	---	.69
2.188	6.22	---	4.50	4.62	---	.69
2.250	6.22	---	4.50	4.62	---	.69
2.375	6.22	---	4.62	4.75	---	.69
2.438	6.98	---	4.87	5.00	---	.69
2.500	6.98	---	4.87	5.00	---	.69
2.625	7.63	---	5.30	5.43	---	.69
2.750	7.75	---	5.50	5.62	---	.69
2.875	7.88	---	5.62	5.75	---	.69
3.000	8.00	---	5.75	5.87	---	.69
3.125	8.13	---	5.37	6.00	---	.69
3.250	8.25	---	6.00	6.12	---	.69
3.375	8.38	---	6.12	6.25	---	.69
3.500	8.50	---	---	6.37	6.50	.81
3.625	8.63	---	---	6.50	6.62	.81
3.750	8.75	---	---	6.62	6.75	.81
3.875	8.88	---	---	6.75	6.87	.81
4.000	9.00	---	---	6.87	7.00	.81

0105