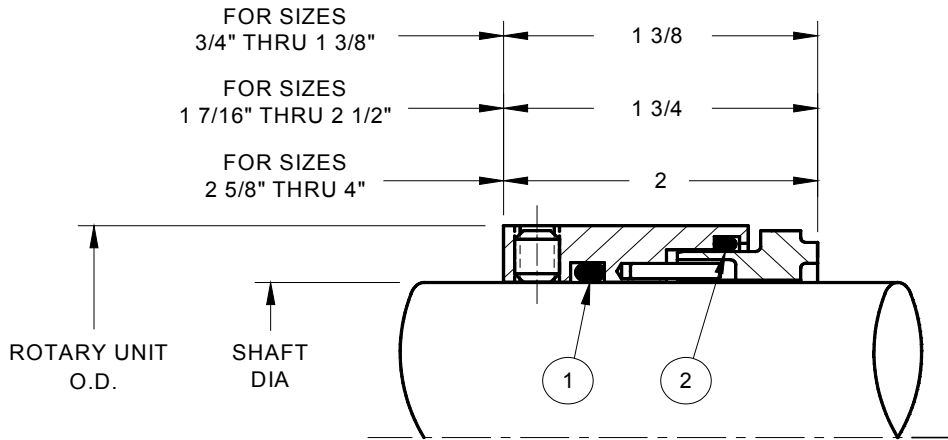




ADVANCED SEALING TECHNOLOGY DIMENSIONAL DATA

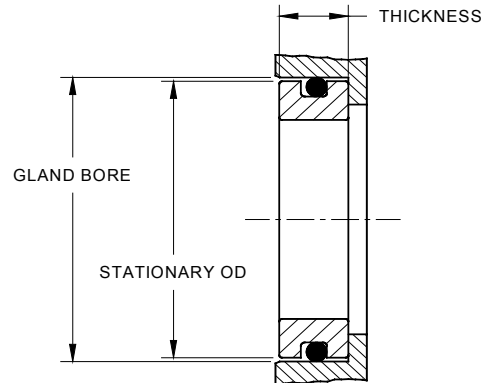
AST 60 & 66 ROTARY UNITS (INCH)



SHAFT SIZE	SEAL TYPE	ROTARY O.D.	O-RING SIZES	
			1	2
0.750	66	1.27	116	121
0.875	66	1.40	118	123
1.000	66	1.52	120	125
1.125	66	1.65	122	127
1.250	66	1.77	124	129
1.375	66	1.90	126	131
1.438	60	2.19	221	134
1.500	60	2.19	222	134
1.625	60	2.31	223	136
1.688	60	2.44	224	138
1.750	60	2.44	224	138
1.875	60	2.56	225	140
2.000	60	2.69	226	142
2.125	60	2.81	227	144
2.250	60	2.94	228	146
2.312	60	3.06	229	148
2.375	60	3.06	229	148
2.438	60	3.19	230	150
2.500	60	3.19	230	150
2.625	60	3.51	231	235
2.750	60	3.64	232	236
2.875	60	3.76	233	237
3.000	60	3.89	234	238
3.125	60	4.01	235	239
3.250	60	4.14	236	240
3.375	60	4.26	237	241
3.500	60	4.39	238	242
3.625	60	4.51	239	243
3.750	60	4.64	240	244
3.875	60	4.76	241	245
4.000	60	4.89	242	246

0503

O-RING MOUNT STATIONARY SEAL RINGS



SHAFT SIZE	STAT OD	GLAND BORE	THICK	O-RING
0.750	1.355	1.375	0.406	216
0.875	1.480	1.500	0.406	218
1.000	1.605	1.625	0.437	220
1.125	1.730	1.750	0.437	222
1.250	1.855	1.875	0.437	223
1.375	1.980	2.000	0.437	224
* 1.375	2.105	2.125	0.437	225
1.500	2.105	2.125	0.437	225
1.500	2.292	2.312	0.437	226
1.625	2.355	2.375	0.500	227
1.750	2.480	2.500	0.500	228
1.875	2.605	2.625	0.500	229
** 2.000	2.730	2.750	0.500	230
** 2.125	2.862	2.875	0.563	231
2.125	2.975	3.000	0.563	232
2.250	3.100	3.125	0.563	233
2.375	3.225	3.250	0.563	234
2.500	3.350	3.375	0.563	235
2.625	3.350	3.375	0.625	235
*** 2.625	3.600	3.625	0.625	237
2.750	3.475	3.500	0.625	236
2.875	3.725	3.750	0.625	238
3.000	3.850	3.875	0.625	239
3.125	3.975	4.000	0.781	240
3.250	4.100	4.125	0.781	241
3.375	4.225	4.250	0.781	242
3.500	4.350	4.375	0.781	243
3.625	4.475	4.500	0.781	244
3.750	4.600	4.625	0.781	245
3.875	4.725	4.750	0.781	246
4.000	4.850	4.875	0.781	247

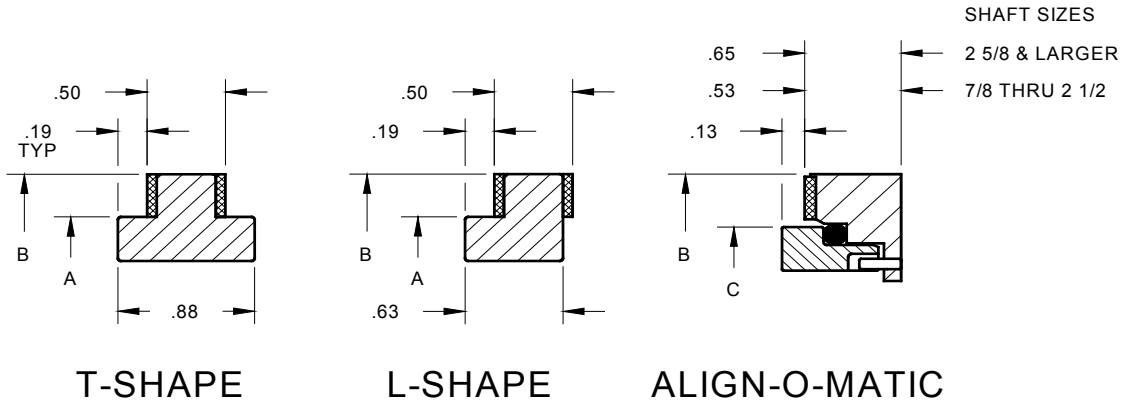
* Fits Durco Mark III Group I, IDP HOC3 Group 1

0503

** Fits IDP HOC3 Group 2A

*** Fits Durco Mark II & Mark III Group III

T & L-SHAPE & ALIGN-O-MATIC STATIONARIES



SHAFT SIZE	A DIA	B DIA	C DIA	ALM O-RING
1.000	1.615	2.09	1.585	220
1.125	1.740	2.22	1.710	222
1.250	1.865	2.34	1.835	223
* 1.375	1.990	2.31		
1.375	1.990	2.41	1.960	224
1.500	2.240	2.72	2.210	226
1.625	2.365	2.84	2.335	227
* 1.750	2.490	2.94		
1.750	2.490	3.09	2.460	228
1.875	2.615	3.22	2.585	229
2.000	2.740	3.47	2.710	230
2.125	2.865	3.72	2.835	231
2.250	2.990	3.84	2.960	232
2.375	3.050	3.88	3.085	233
** 2.500	3.240	4.09	3.210	234
** 2.625		4.22	3.535	339
** 2.750		4.38	3.660	340
** 2.875		4.50	3.785	341
** 3.000		4.56	3.910	342
** 3.125		4.69	4.035	343
** 3.250		4.88	4.160	344
** 3.375		5.00	4.285	345
** 3.500		5.13	4.410	346
** 3.625		5.25	4.535	347
** 3.750		5.38	4.660	348

0503

* SMALL OD L-SHAPE ONLY

** ALIGN-O-MATIC ONLY

T & L-SHAPE STATIONARIES
 FOR DURIRON AND I-R PUMPS

