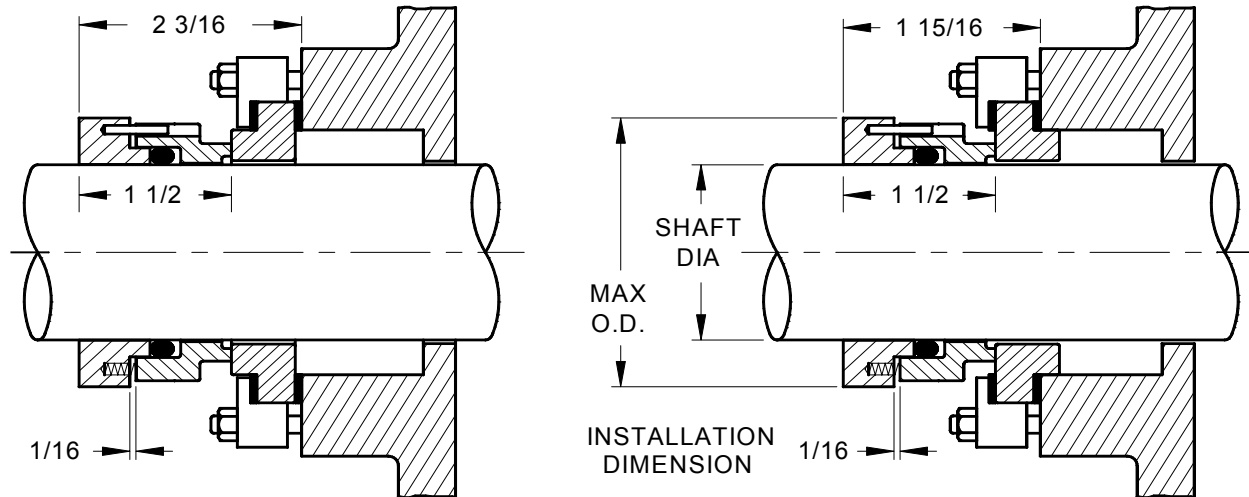




ADVANCED SEALING TECHNOLOGY DIMENSIONAL DATA

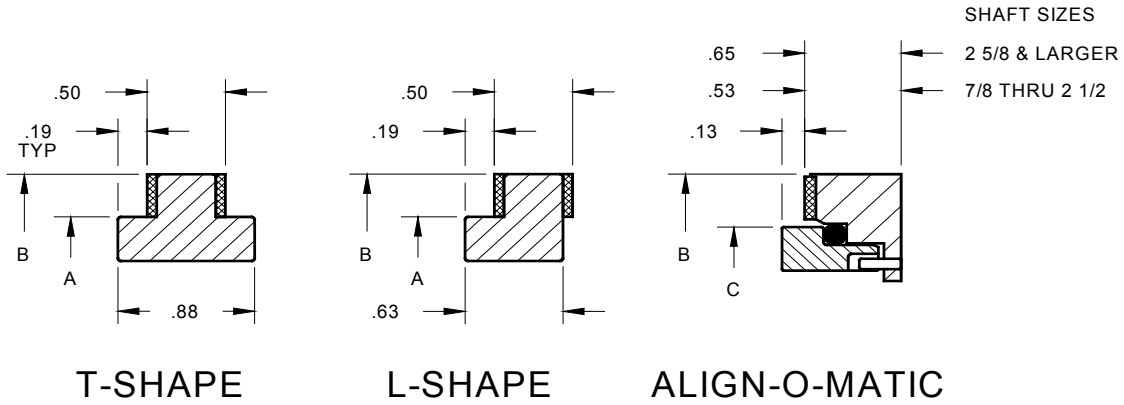
AST 50 ROTARY UNIT (INCH)



SHAFT SIZE	MAX OD	O-RING SIZE
1.000	2.00	318
1.125	2.13	320
1.250	2.25	322
1.375	2.38	324
1.500	2.50	325
1.625	2.63	326
1.750	2.75	327
1.875	2.88	328
2.000	3.00	329
2.125	3.13	330
2.250	3.25	331
2.375	3.38	332
2.500	3.50	333

0503

T & L-SHAPE & ALIGN-O-MATIC STATIONARIES



SHAFT SIZE	A DIA	B DIA	C DIA	ALM O-RING
1.000	1.615	2.09	1.585	220
1.125	1.740	2.22	1.710	222
1.250	1.865	2.34	1.835	223
* 1.375	1.990	2.31		
1.375	1.990	2.41	1.960	224
1.500	2.240	2.72	2.210	226
1.625	2.365	2.84	2.335	227
* 1.750	2.490	2.94		
1.750	2.490	3.09	2.460	228
1.875	2.615	3.22	2.585	229
2.000	2.740	3.47	2.710	230
2.125	2.865	3.72	2.835	231
2.250	2.990	3.84	2.960	232
2.375	3.050	3.88	3.085	233
** 2.500	3.240	4.09	3.210	234
** 2.625		4.22	3.535	339
** 2.750		4.38	3.660	340
** 2.875		4.50	3.785	341
** 3.000		4.56	3.910	342
** 3.125		4.69	4.035	343
** 3.250		4.88	4.160	344
** 3.375		5.00	4.285	345
** 3.500		5.13	4.410	346
** 3.625		5.25	4.535	347
** 3.750		5.38	4.660	348

0503

* SMALL OD L-SHAPE ONLY
 ** ALIGN-O-MATIC ONLY

T & L-SHAPE STATIONARIES
 FOR DURIRON AND I-R PUMPS

